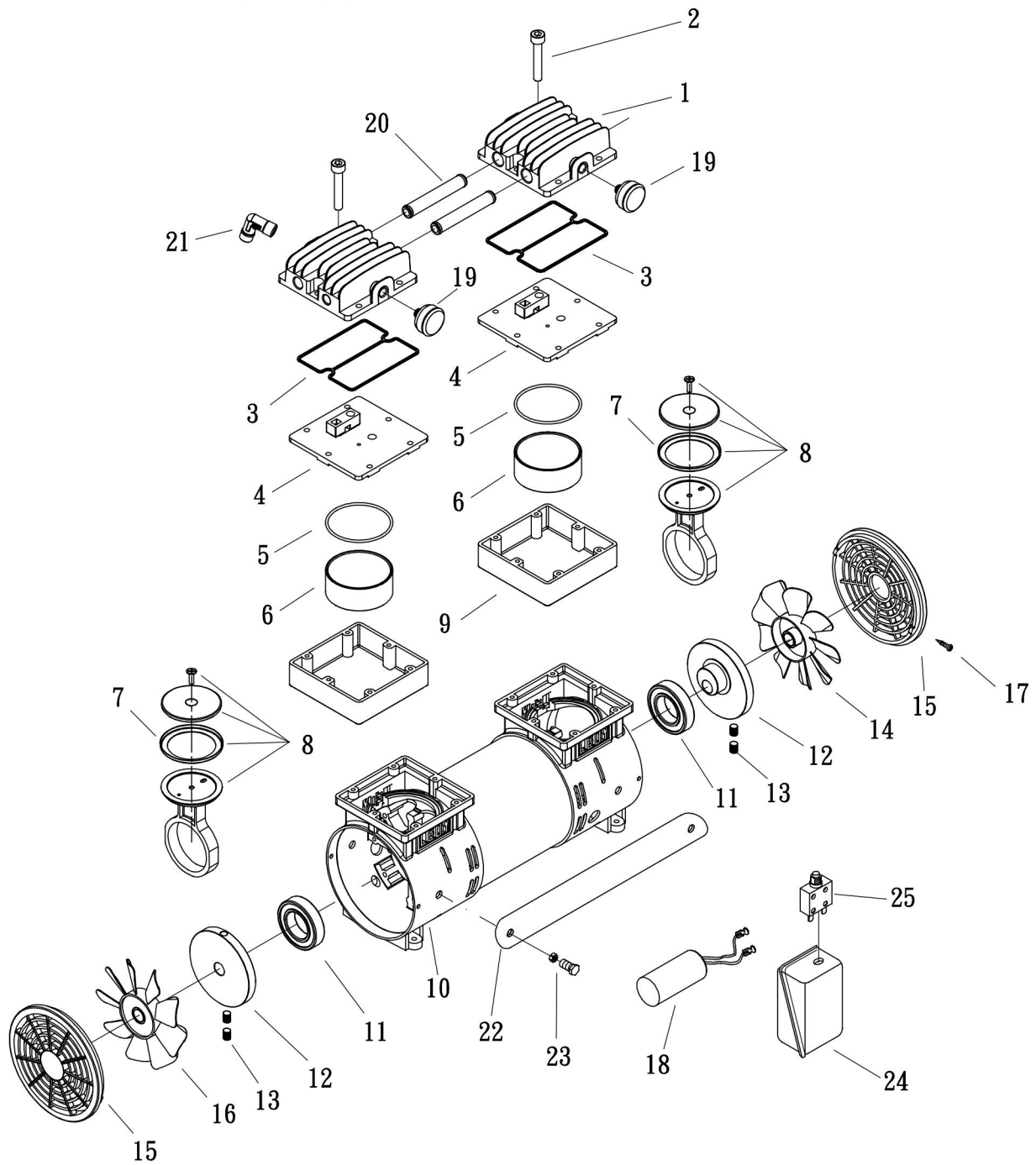


MODEL :WE1504C (Pump)

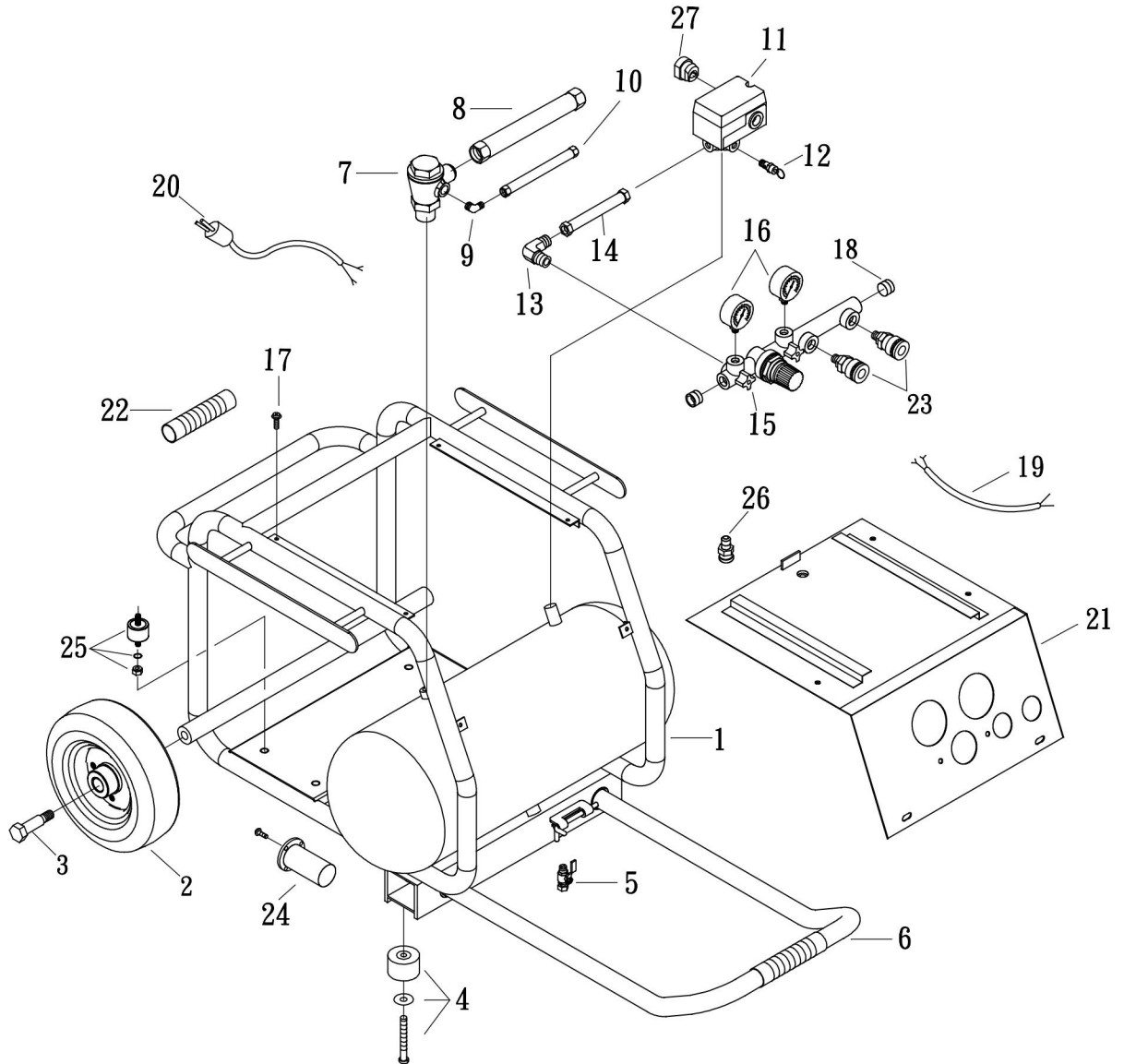


SPARE PARTS LIST

NO : MP-1910

REF. NO.	DESCRIPTION	PART NO.	QTY.	REF. NO.	DESCRIPTION	PART NO.	QTY.
1	Cylinder head	3101-WE11	2	14	Cooling fan(L)	2336-WE11L	1
2	Hexagon socket set bolt	2B00-M06*065	12	15	Front cover	3309-WE11	2
3	Cylinder head seal	2G01-WE11	2	16	Cooling fan(R)	2336-WE11R	1
4	In. & Ex. valve assembly	3B13-WE11	2	17	Plug	2B17-FW01*03B	4
5	Valve seat seal	2G03-WE11	2	18	Running capacitor	2E27-100F2545	1
6	Cylinder	3201-WE11	2	19	Air filter	2140-OTS04	2
7	Piston ring plate	2214-WE06	2	20	Nipple	2N01-WE11	2
8	Piston rod set	3B3-WE11	2	21	Exhaust elbow	2N06-04T04H	1
9	Cylinder support	3201H-WE11	2	22	Capacitor seat	3417025	1
10	Motor set	3B8-WE1100	1	23	Hexagon bolt set	3B00-FM10*016VW	2
11	Bearing	2N35-WE11ROD	2	24	Capacitor box	2E23-216	1
12	Crankshaft & balancer	3304-WE11	1	25	Thermal protector	2E25-13A	1
13	Set screw	2B07-SM08*16	4				

MODEL : WE1504C (Receiver Tank)



SPARE PARTS LIST

NO : MP-1910

REF. NO.	DESCRIPTION	PART NO.	QTY.	REF. NO.	DESCRIPTION	PART NO.	QTY.
1	Air tank	3401805	1	15	Regulator	2408027	1
2	Tank wheel	2402032B	2	16	Pressure gauge	2D12-20V14KS1	2
3	Tank wheel bolt	2418005	2	17	Bolt	2B02-FM5*010WB	22
4	Rubber pad set	3433013-A	2	18	Plug	2B14-ST02E	4
5	Ball valve	2413014	1	19	Cable	2E02-2030702Y2T	1
6	Grip set	3432041-A	1	20	Power cable	2E01-012	1
7	Check valve	2414025T	1	21	Panel	3420120	1
8	Tube	2T02-04*0310	1	22	Grip	2432102	1
9	Unloading elbow	2N06-01T02H	1	23	Quick coupler	07MS01/4M-B	2
10	Unloading tube set	3B2-02*190F	1	24	Handle bushing	2N32-005	2
11	Pressure switch	2E21-AA256BP	1	25	Vibration isolator set	3439-WE11-A	4
12	Pressure relief valve	2406016A	1	26	Socket button head screw	2B46-M12*20	1
13	Exhaust elbow	2N06-02T02F	1	27	Strain relief bushing	2E04-010	4
14	Tube	2T06-025	1				